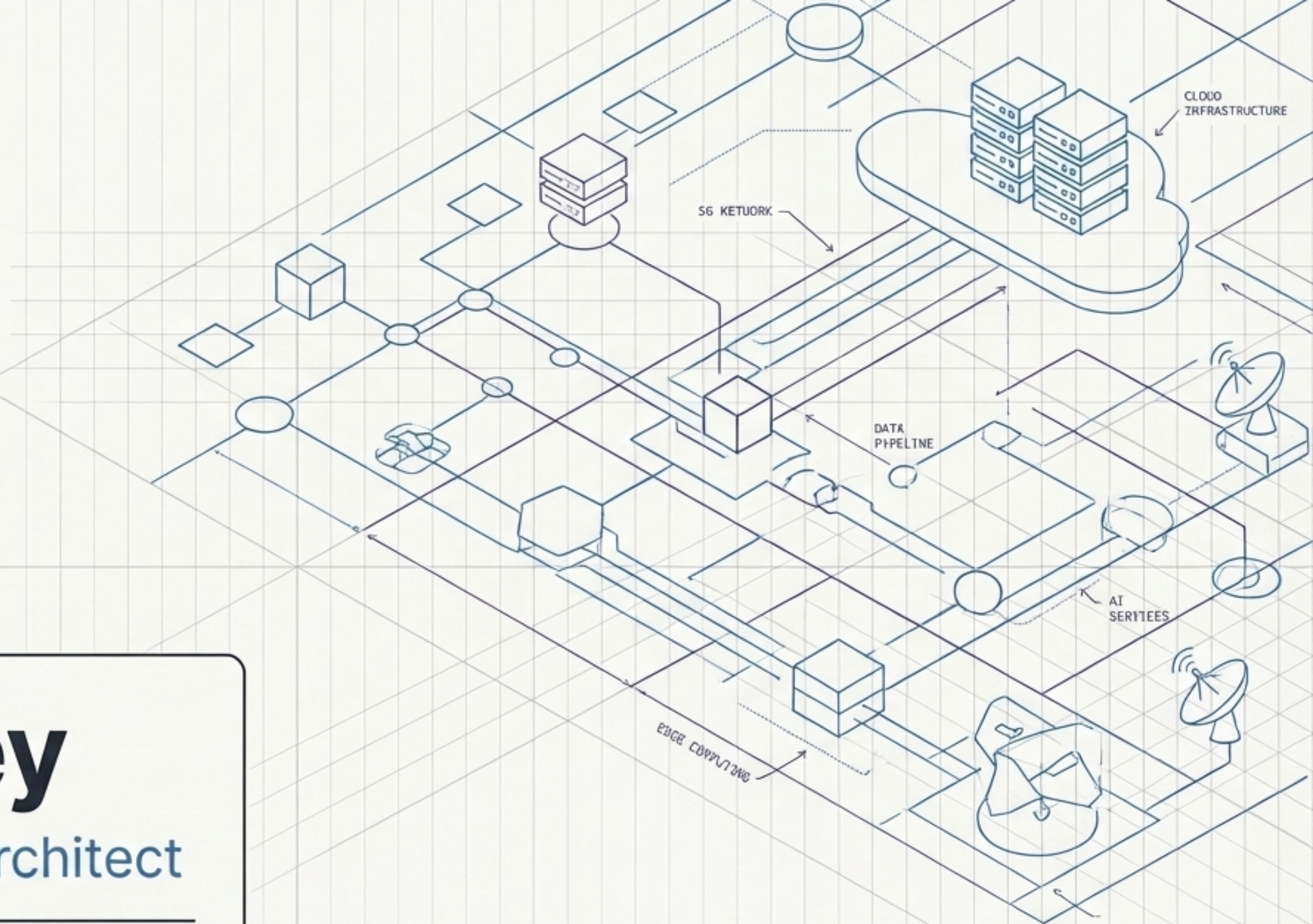


Ryan McVey

Cloud & AI Solutions Architect

Connecting Strategy to Execution

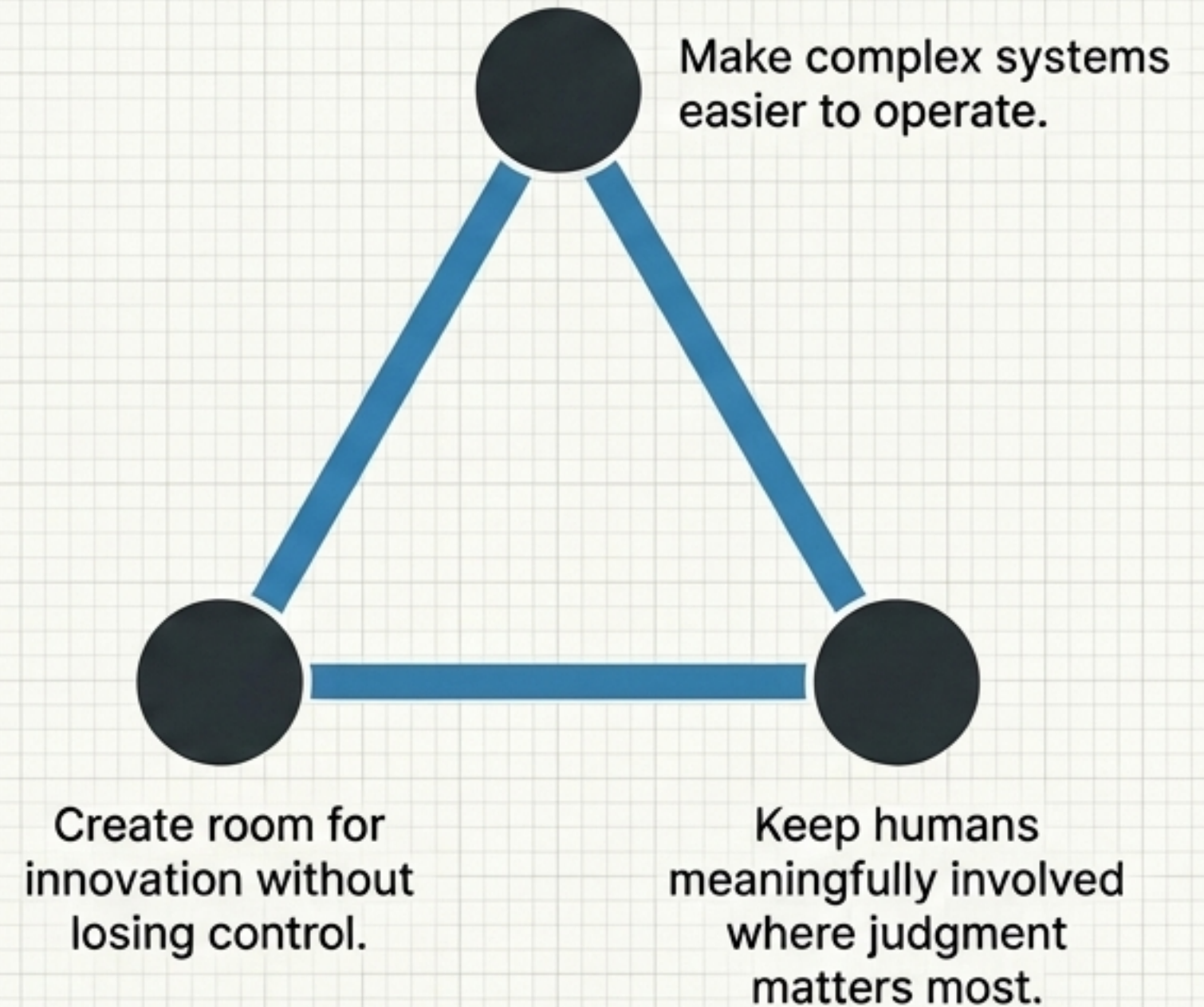




Rooted in Service

Translating United States Marine Corps disciplined processes into enterprise accountability and mission readiness.

Architectural Philosophy



Hybrid & Multi-Cloud Architecture



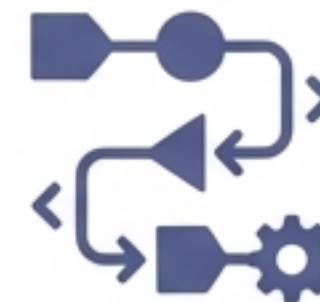
- ✓ Azure, AWS, and GCP enterprise design
- ✓ Hub-and-Spoke and Zero-Trust networks
- ✓ Infrastructure as Code (Bicep, Terraform)
- ✓ Serverless and containerized workloads

AI Platform Strategy



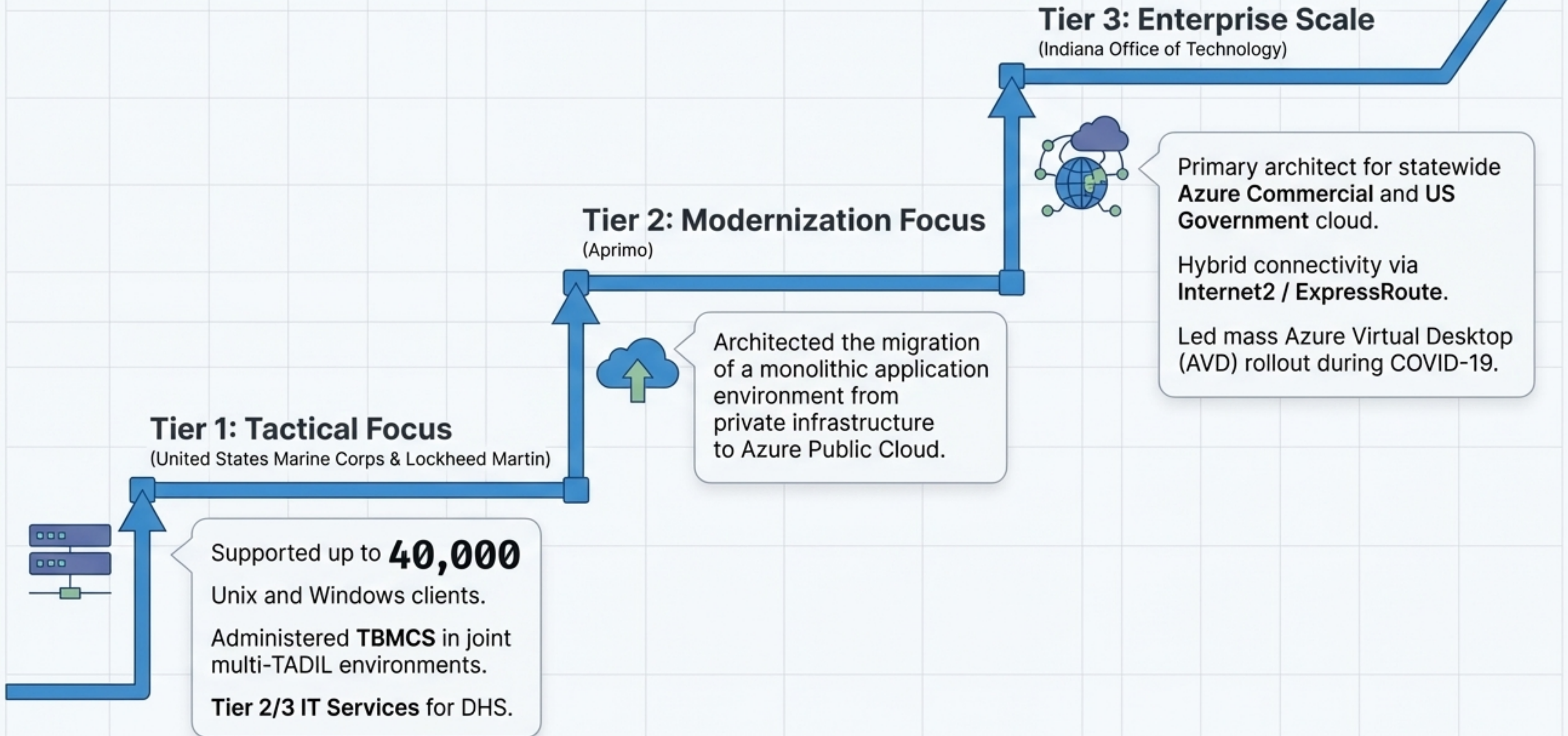
- ✓ Responsible AI adoption and governance
- ✓ Governed experimentation and MLOps
- ✓ Retrieval-Augmented Generation (RAG)
- ✓ Copilot-assisted development

Modern Delivery & Governance

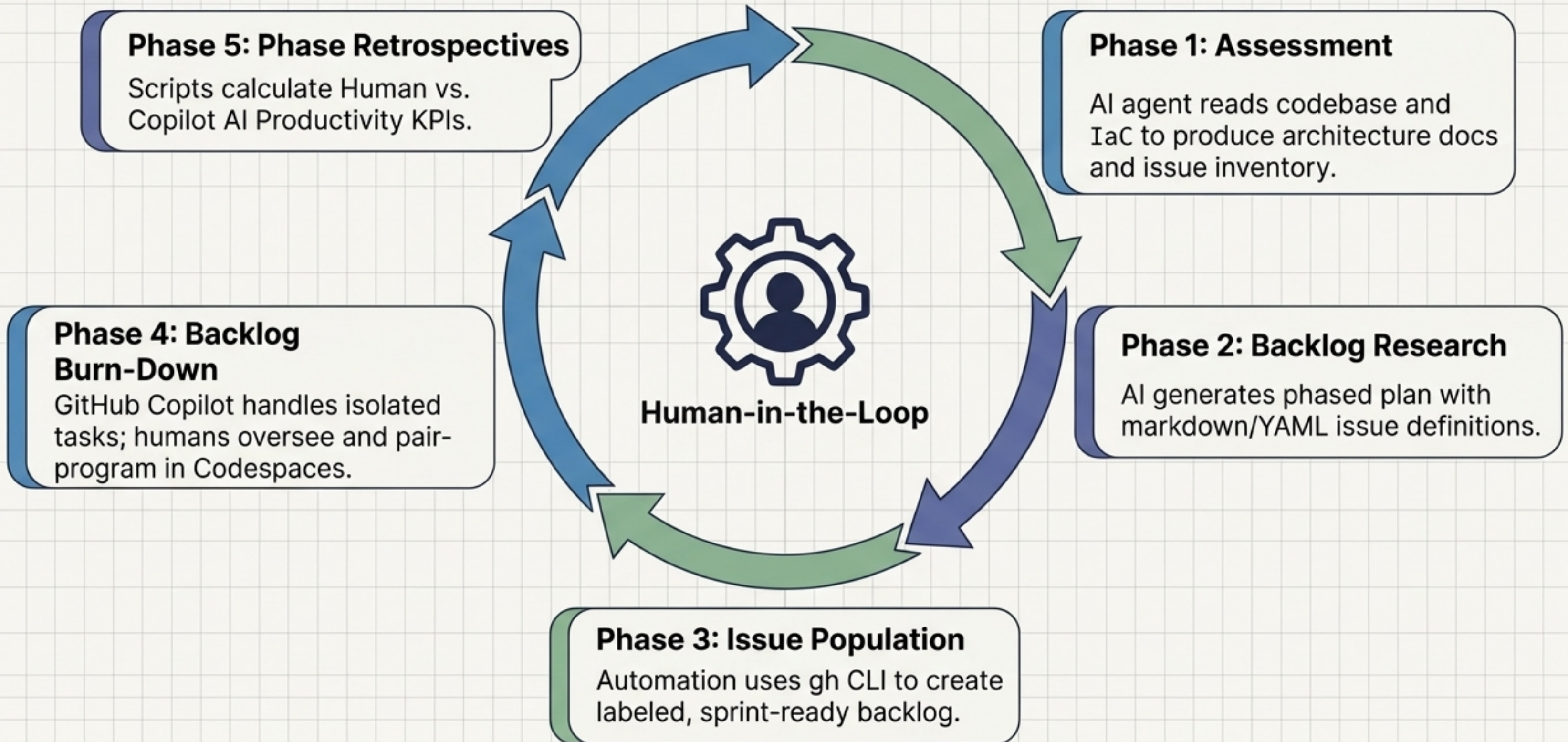


- ✓ AgentGitOps methodology
- ✓ CI/CD pipelines (GitHub Actions)
- ✓ **Policy as Code** and compliance frameworks
- ✓ Application observability (APM)

Career Progression



AgentGitOps: AI-Assisted Project Delivery





Enterprise Network & PaaS

Project: Indiana DOE Ed-Fi Replatforming.

Architecture: Migrated a high-volume statewide education data system to Azure PaaS using CI/CD, Azure DevOps, Octopus Deploy, and Bicep, improving operational resilience.



Applied Generative AI

Project: eGroup RAG for State Law Research.

Architecture: Built a retrieval-augmented generation app on Azure AI Services. Indexed 33,000 pages of state code via **Azure AI Search** to accelerate legal research.



Identity & IAM Strategy

Project: GCP Landing Zone Remediation.

Architecture: Assessed a misconfigured identity environment. Designed an Okta federation strategy and a staged landing zone orchestrated through GitHub workflows.

Professional Certifications & Badges

Expertise & Architecture



Microsoft Certified:
**Azure Solutions
Architect Expert**

AI & Data Engineering



Microsoft Certified:
**Azure AI Engineer
Associate**



Microsoft Certified:
**Azure Data Scientist
Associate**



Microsoft Certified:
**Azure AI
Fundamentals**

Security & Operations



Certified Information
Systems Security
Professional (**CISSP**)



Certified Information
Security Manager (**CISM**)



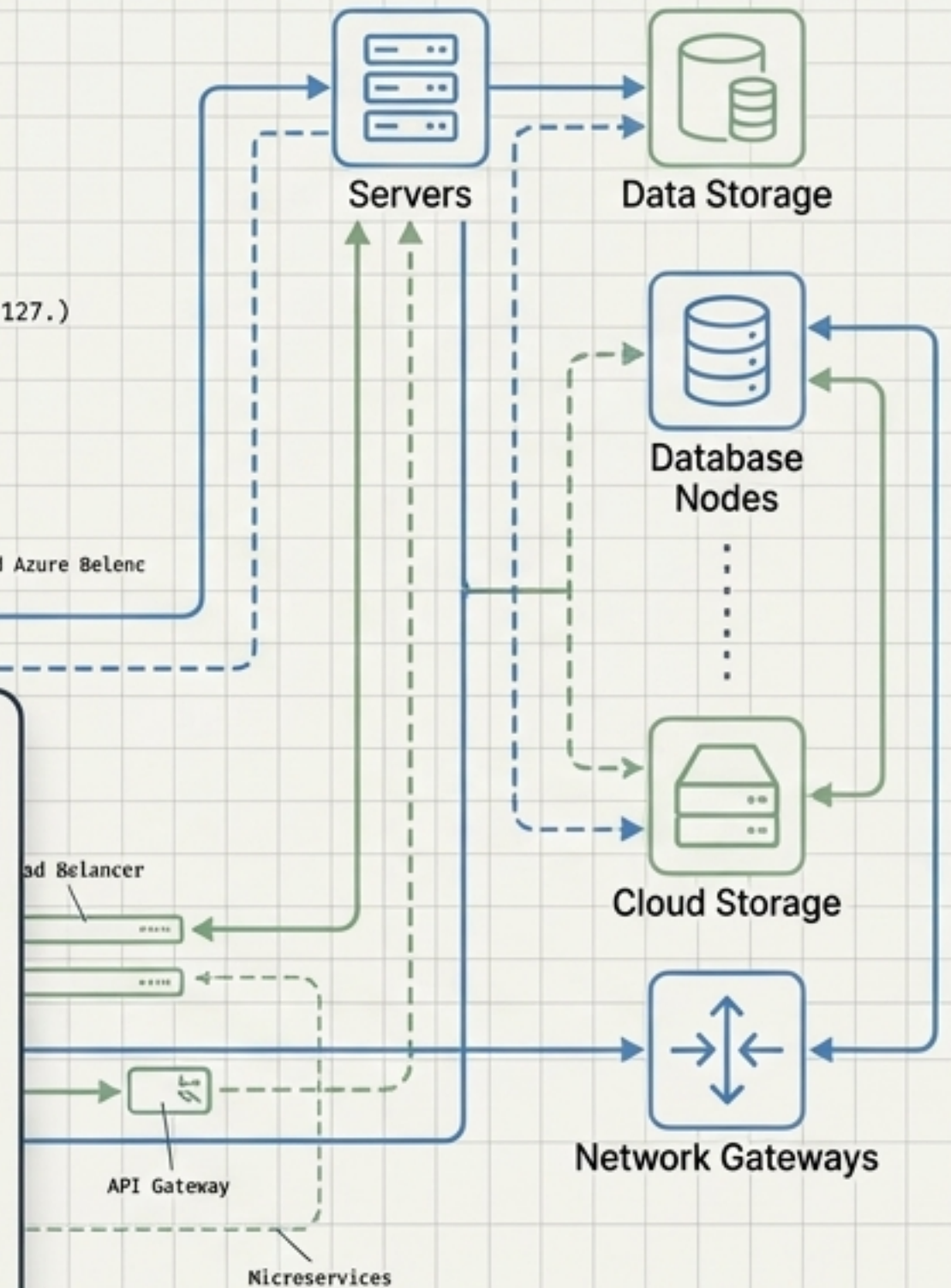
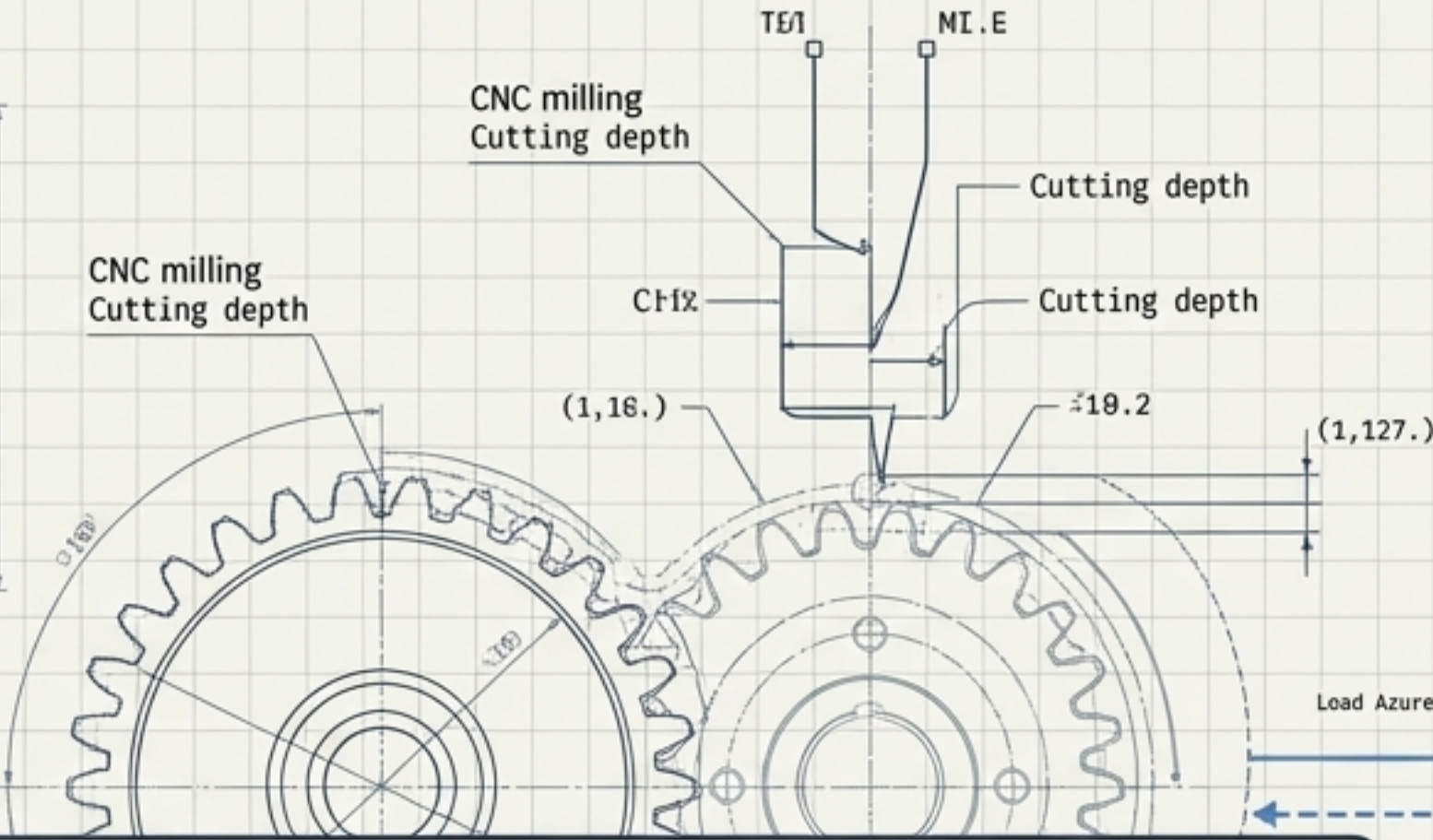
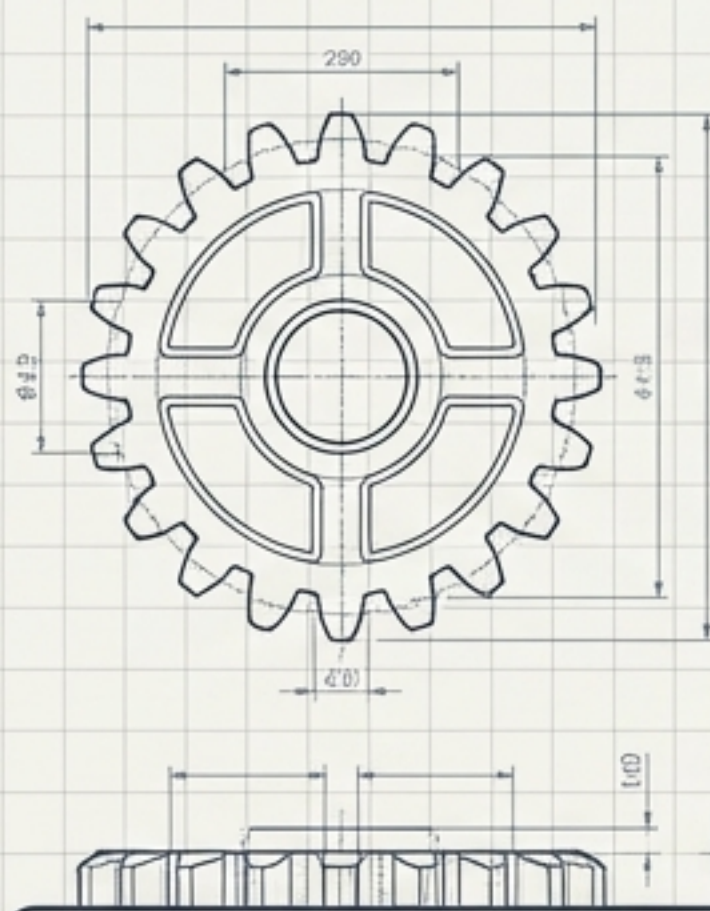
Cisco Certified Network
Associate (**CCNA**)



NERC Reliability
Coordinator (Earned)



USMC Tactical Data
Administrator (MOS-5974)



Beyond Architecture: A Builder at Heart

- Applying the same discipline to digital architecture as physical prototyping.
- Interests include CAD, CNC, 3D printing, and fabrication workflows.
- Turning ideas into usable systems.

Explore the infrastructure behind this presentation:

Review the end-to-end AgentGitOps repository utilizing Azure Storage, Azure Functions (.NET 8), Cosmos DB, and Cloudflare CDN.